

## Vernis Blend

### Single lever bath mixer for exposed installation

Surfaces: **Chrome** Article Number: **71440000**



#### Description

##### product features

- projection 171 mm
- connection type: s-shaped connections
- centre distance: 150 ± 12 mm
- spray type mixer: normal spray
- maximum flow rate at 3 bar: 22,5 l/min
- flow rate for bath spout at 3 bar: 22,5 l/min
- flow rate of hand shower at 3 bar: 15,7 l/min
- min. operating pressure: 1 bar
- max. operating pressure: 10 bar
- ceramic cartridge
- temperature limitation adjustable
- diverter with automatic resetting
- with silencer
- suitable for continuous flow water heaters
- connection dimension: DN15

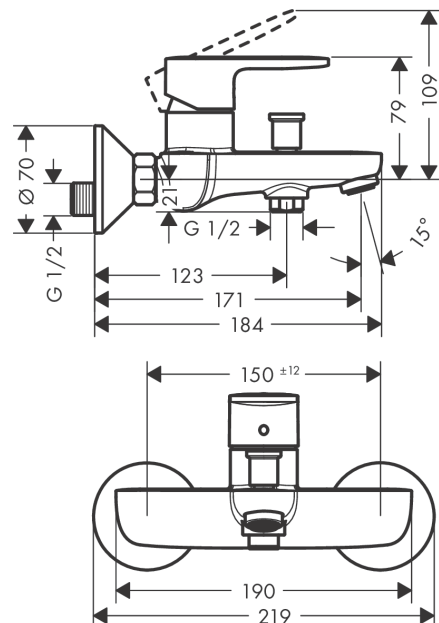
#### Technology



#### Product image



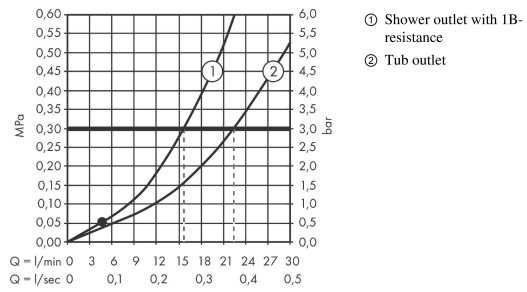
#### Scale drawing



**Vernis Blend**  
**Single lever bath mixer for exposed installation**  
 Surfaces: **Chrome** Article Number: **71440000**



**Flowchart**

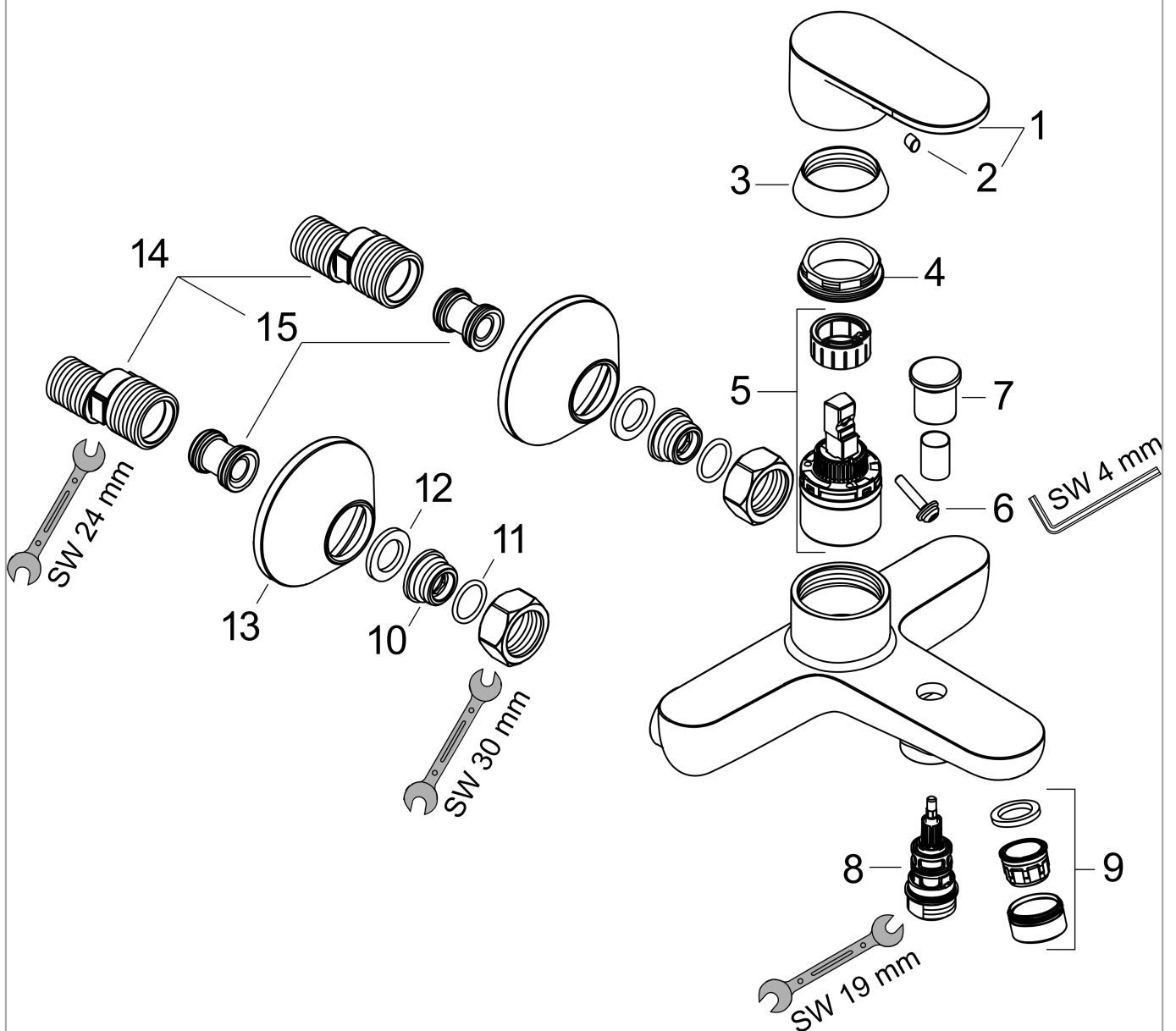


**Vernis Blend**  
**Single lever bath mixer for exposed installation**  
 Surfaces: **Chrome** Article Number: **71440000**



**Exploded Drawing**

Year of production: >01/21



**Vernis Blend****Single lever bath mixer for exposed installation**Surfaces: **Chrome** Article Number: **71440000****Spare part list**

Year of production: &gt;01/21

Pos.	Description	Article Number	Price	PU
1	handle	93715000	-	1
2	screw cover	96338000	-	1
3	flange	93716000	-	1
4	nut	93717000	-	1
5	cartridge, assy	92730000	-	1
6	locking screw for handle	95140000	-	1
7	diverter knob	93766000	-	1
8	selector	97978000	-	1
9	aerator M24x1 (38 l/min)	92513000	-	1
10	connecting thread G½	93767000	-	1
11	O-ring 16x2	98133000	-	1
12	filter packing	96922000	-	1
13	escutcheon Ø 70 mm	93718000	-	1
14	set of S-unions (±12 mm)	94140000	-	1
15	noise reduction	96429000	-	1