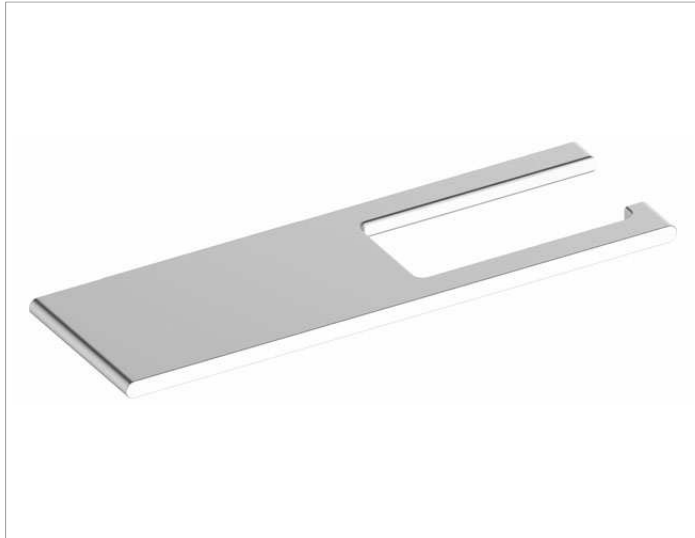


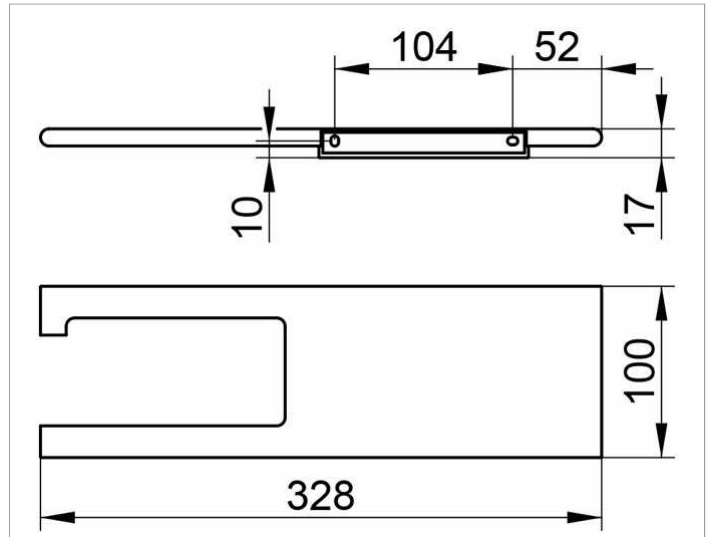
Edition 400

11573170000 Toilet paper holder

PRODUCT



DRAWING



PRODUCT ATTRIBUTES

with shelf, open form
for 100/120 mm wide paper rolls

SURFACE

aluminium silver anodized (E6 EV1)

SPECIFICATIONS

KEUCO Edition 400 Toilet Paper Holder With Shelf, 11573170000
Toilet paper holder made of solid aluminum, for roll width 3-15/16" / 4-3/4",
with shelf space, e.g. for mobile phones and accessories,
silver anodized (E6 EV1), wall model, with slightly rounded edges,
width 12-13/16", thickness 3/8", depth 3-15/16", shelf 7-5/16" wide
the toilet paper holder with shelf is concealed,
delivery incl. corrosion-free mounting material