

**AXOR Uno**  
**Single lever basin mixer 100 loop handle without pull-rod**  
 Surfaces: **Brushed Nickel** Article Number: **38026820**



## Description

### product features

- consists of: single lever basin mixer, waste set
- ComfortZone 100
- projection 127 mm
- normal spray
- flow rate at 3 bar: 5 l/min
- ceramic cartridge
- temperature limitation adjustable
- suitable for continuous flow water heaters
- non-closing waste set
- connection dimension: DN15

## Technology



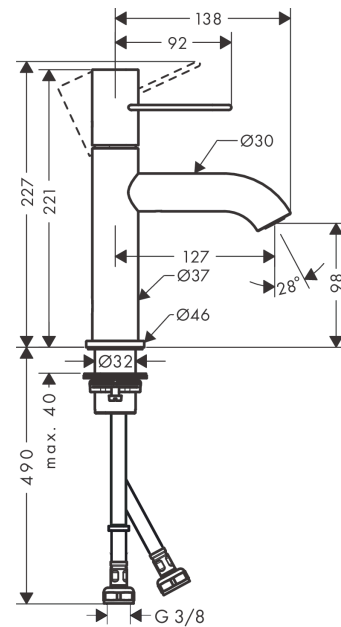
## Design awards



## Product image



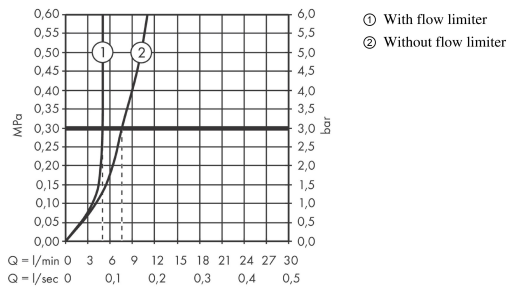
## Scale drawing



**AXOR Uno**  
**Single lever basin mixer 100 loop handle without pull-rod**  
 Surfaces: **Brushed Nickel**    Article Number: **38026820**



## Flowchart

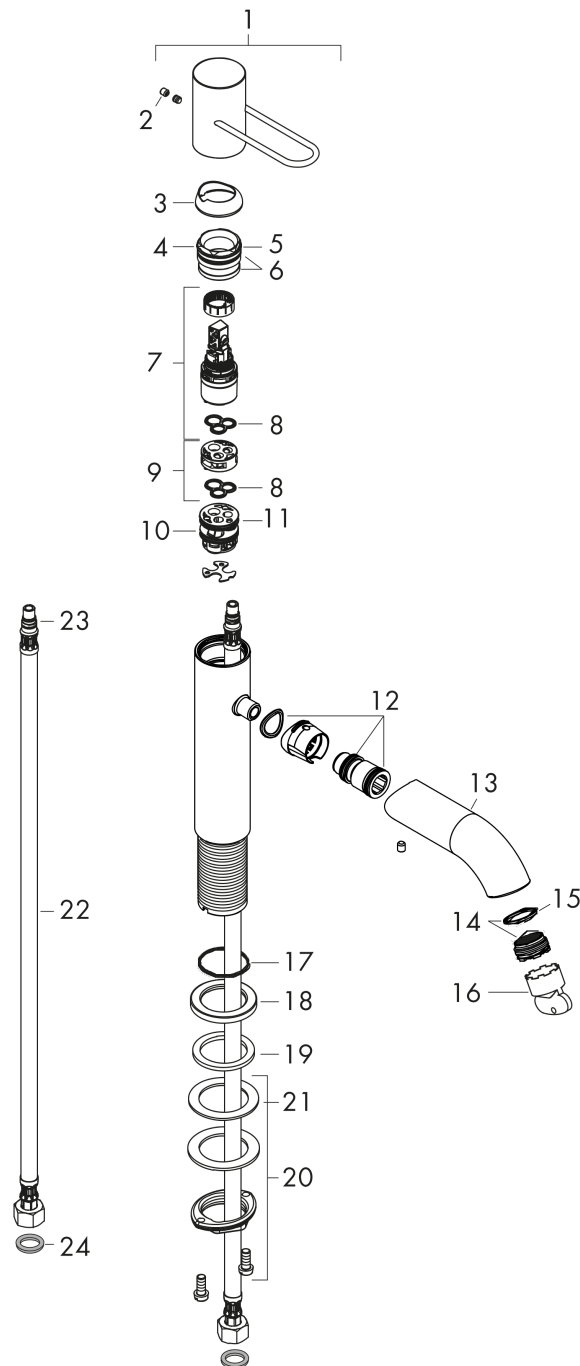


**AXOR Uno**  
**Single lever basin mixer 100 loop handle without pull-rod**  
Surfaces: **Brushed Nickel** Article Number: **38026820**



## Exploded Drawing

Year of production: >04/17



**AXOR Uno**  
**Single lever basin mixer 100 loop handle without pull-rod**  
 Surfaces: **Brushed Nickel** Article Number: **38026820**



## Spare part list

Year of production: >04/17

Pos.	Description	Article Number	PC	PU
1	handle	92886820	0	1
2	screw cover	95181000	0	1
3	flange	92625820	0	1
4	nut	92689000	0	1
5	O-ring 25x1,5	98146000	0	1
6	O-ring 27x1,5	92527000	0	1
7	cartridge, assy	97685000	0	1
8	seal	98865000	0	1
9	adapter for cartridge	92628000	0	1
10	adapter for cartridge	98866000	0	1
11	O-ring 23x2	98398000	0	1
12	O-ring 16x2	98133000	0	1
13	spout cpl.	92889820	0	1
14	aerator M24x1 (5 l/min)	92895000	0	1
15	O-ring 20x1,5	98197000	0	1
16	special tool	95290000	0	1
17	O-ring 30x1,5	98433000	0	1
18	escutcheon Ø 46 mm	95268820	0	1
19	flat seal	98749000	0	1
20	fixing set (Ø 32)	13961000	0	1
21	lever collar	97548000	0	1
22	connection hose 600 mm M8x0,75 G3/8	96556000	0	1
23	O-ring 7x1,5	98422000	0	1
24	sealing set	95581000	0	1
a	pop up waste	50001820	0	1
b	fixation extension 35 mm	13898000	0	1